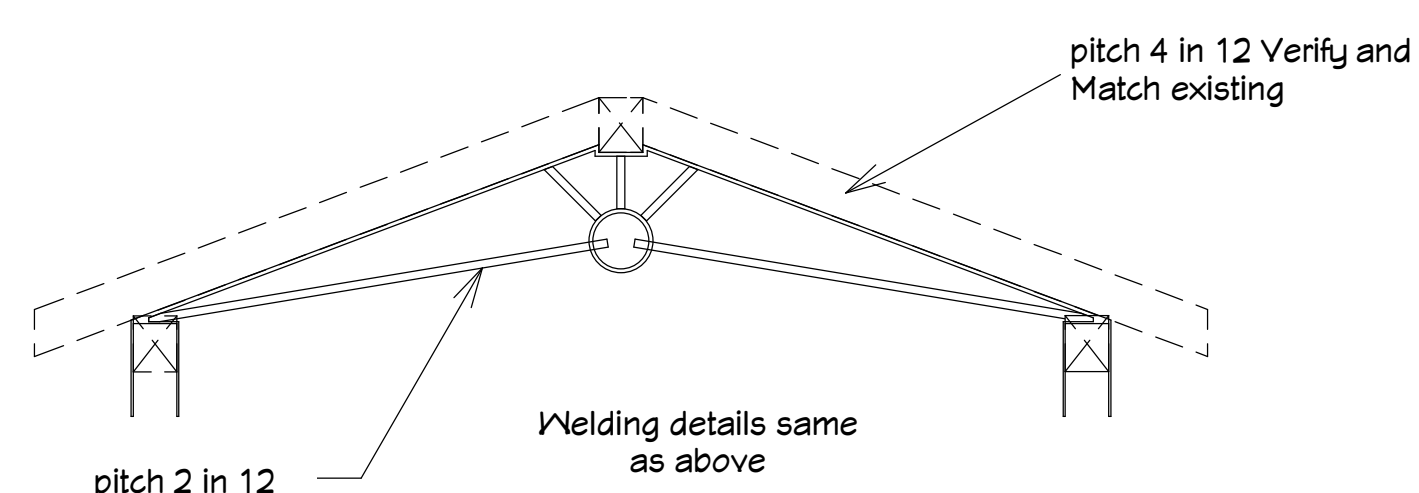
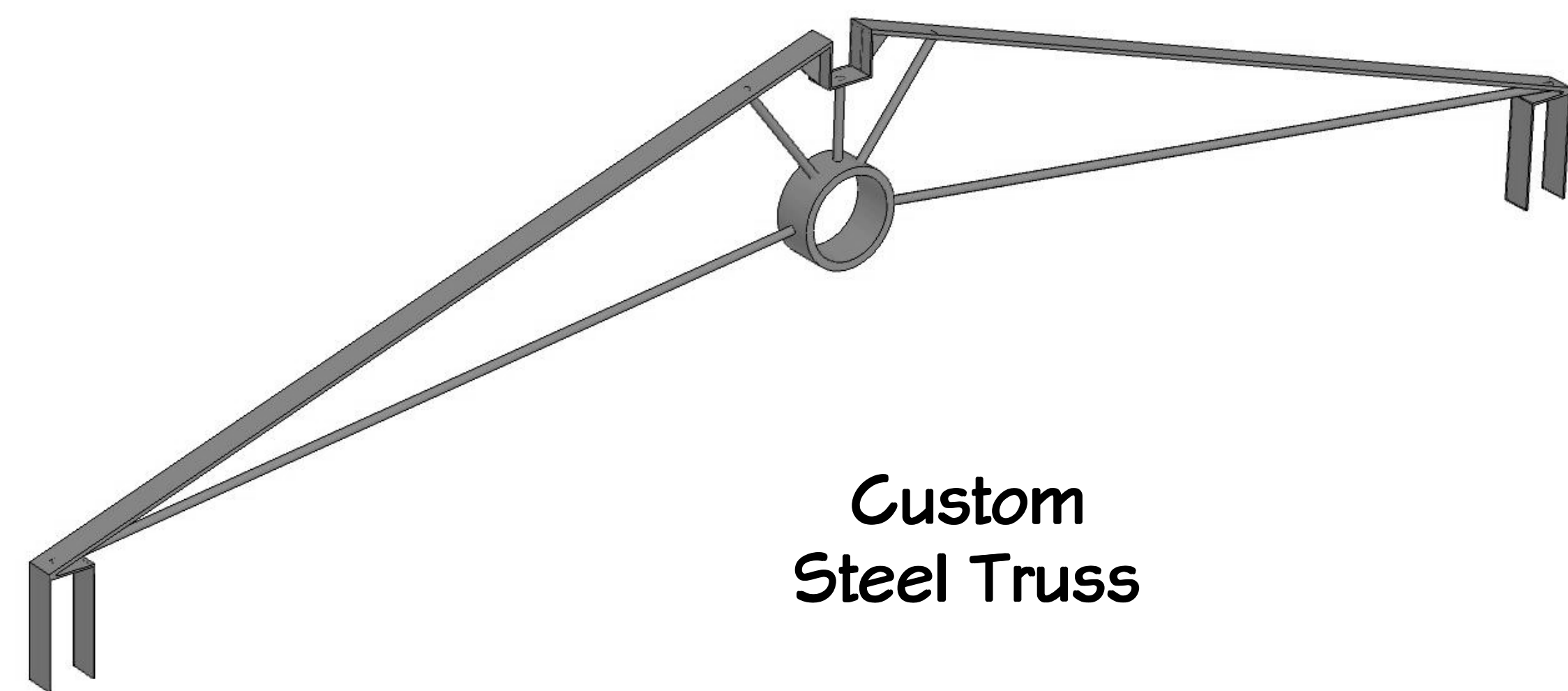
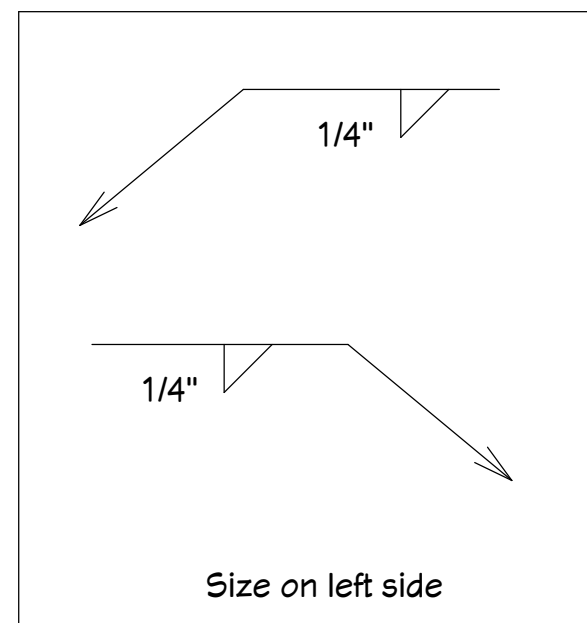
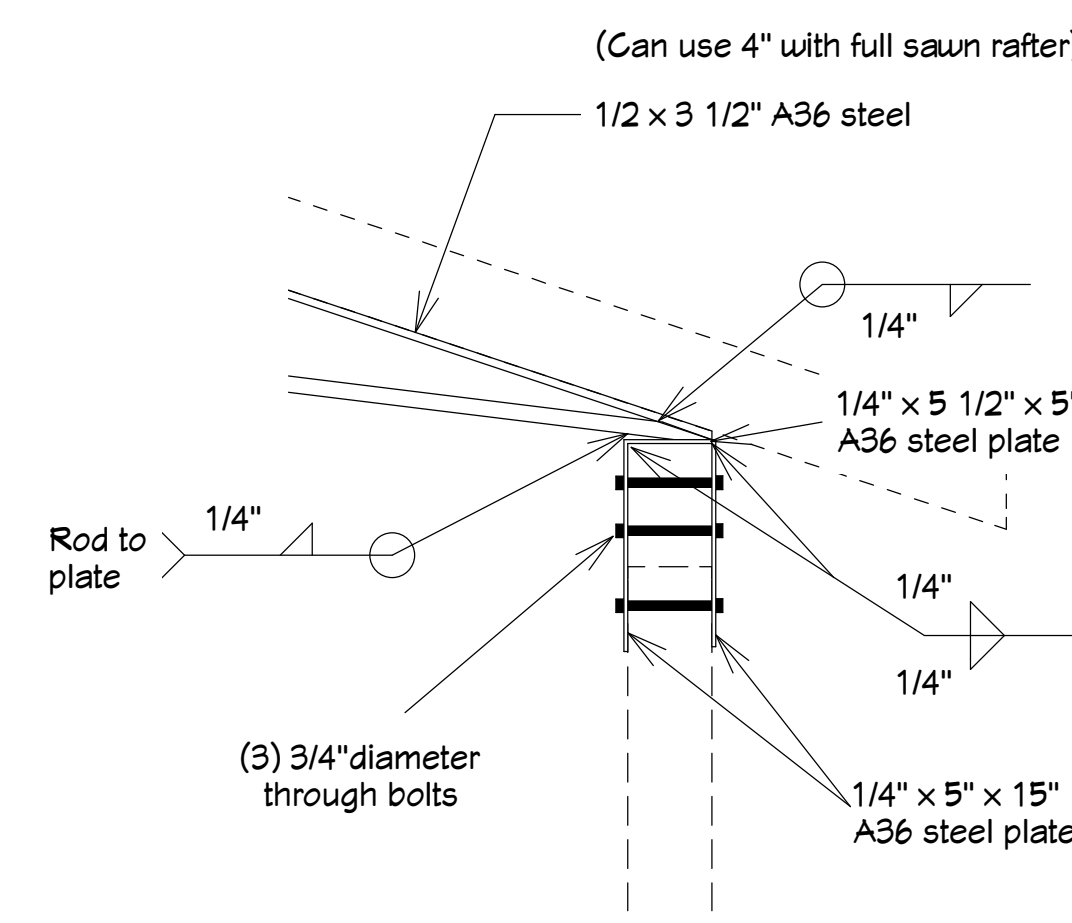
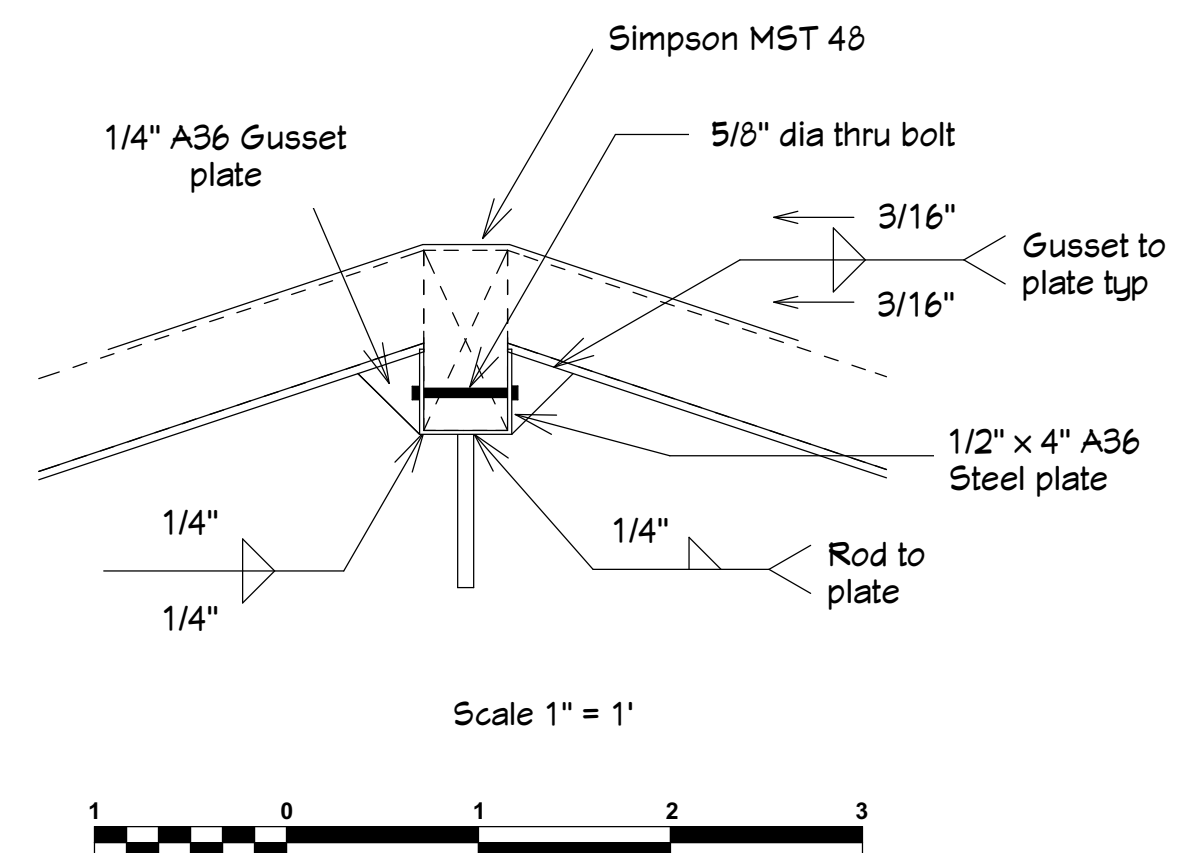


Upper level truss  
 Scale 1/2" = 1'



Entry level truss  
 Scale 1/2" = 1'



Custom Steel Truss

